



NFATCA Expo 2013

It is impossible to make it through a single weekend without at least a few dozen gun shows within a short drive from Anywhere, USA. We've got shows, shoots, collections, conventions, auctions and more. But we really do not have anything that is focused on the world of NFA. That is going to change!

First and foremost, the NFATCA recognizes that we do not need another gun show or shoot. There are plenty of those throughout the year and we do not wish to detract from the considerable success that many of these show and shoot operators have worked so hard to develop. Besides, adding

another event like this to the roster of opportunities would not bring *value* to your world. Instead, we are creating an NFATCA Expo to bring together the next level of information, education, networking and action.

The NFATCA recognizes that we can no longer benefit from being just a separate track at a general industry get together. Therefore, we are establishing our own, dedicated event. We understand that the NFA world is composed of folks whose expectations are top shelf. In keeping with that thought, we will be holding the event at a top shelf business resort in the summer of 2013. If you have ever attended a conference at the

Westin La Paloma, the Broadmoor or the Greenbrier, than you already know the level of excellence we are aiming for. We will bring Congressional leaders to discuss pending legislation, business experts to help you with your marketing efforts, celebrities to invigorate you, as well as reviews of trends, current legal issues and more.

There will be no distractions. All of the food and beverage will be provided and you accommodations will be first class. Further, we are in the process of securing sponsorship for this event, so there will be no attendance fees. Attendance will be limited so look for the upcoming registration announcement!



"I ask, Sir, What is the militia? It is the whole people. To disarm the people is the best and most effectual way to enslave them."
~ George Mason, co-author of the Second Amendment

FTB Handbook & Reference News

Many of you know that the NFATCA was the driving force behind the creation and publication of the *NFA Handbook*. This publication was then presented to ATF and has become the gold standard reference for plain-English answers to NFA issues. The NFATCA sought to build upon the success of this effort and bring our resources to bear on creating a similar tome for the



Firearms Technology Branch Handbook & Reference



Firearms Technology Branch (FTB). Several years ago, we started what has become an Herculean effort. Our goals were straightforward:

This handbook is primarily for the use of persons in the business of importing, manufacturing, and repair of fire-

arms or persons intending to go into the firearms business. It should also be helpful to collectors of firearms and other persons having questions about the application of Firearms Technology Branch (FTB) regulations, policies and procedures.

The publication is not a law book. Rather, it is intended as a "user friendly" reference book enabling the user to quickly find answers to questions concerning the FTB. Nevertheless, it should

also be useful to attorneys seeking basic information about the FTB and how the law has been interpreted by FTB. The book's Table of Contents will be helpful to the user in locating needed information. Although the principal focus of the handbook is

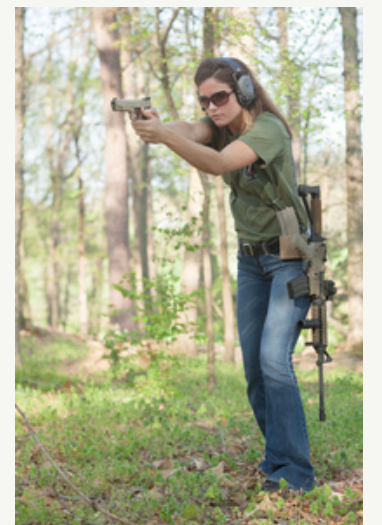
the FTB, the book necessarily covers provisions of the Gun Control Act of 1968 and the Arms Export Control Act impacting firearms businesses and collectors.

The book is the product of a joint effort between ATF and the National Firearms Act Trade and Collectors Association (NFATCA). ATF takes this opportunity to express its appreciation to the Association for its assistance in writing and making this publication possible.

The *FTB Handbook & Reference* is also delayed. When we were creating the *NFA Handbook*, we worked under an onerous and exhausting chapter by chapter review and approval process. This proved to be clumsy and contentious. For the FTB tome, we decided that the volume would be presented to ATF Counsel for legal review as a complete

NFATCA Upcoming Events

- ◆ Knob Creek Fall Shoot, October 12-14, 2012, West Point KY
- ◆ SAR West, November 30–December 2, 2012, Phoenix AZ



(continued on Page 2)



Associate Memberships

The NFATCA now has \$50 Associate Memberships available to provide an opportunity for even more folks to help keep NFA weapons available to all. Join now!

www.nfatca.org



NATIONAL FIREARMS ACT TRADE & COLLECTORS ASSOCIATION

POWER THROUGH EXPERIENCE

NFATCA 20603 Big Wells Drive Katy, Texas 77449 281.492.8288 info@nfatca.org

Publisher: John K. Brown, III Senior Editor: Jeff Folloder Photography: Oleg Volk NFATCA is a 501(c)(6) corp. © Copyright 2012, NFATCA

FTB Handbook (continued)

draft. This approach made sense, but also necessitated having all of the material collected in one place. This has proved to be a significant obstacle.

The NFATCA understands that delivering a handbook that falls short of the mark would be considered a failure. We also know that there are significant expectations surrounding this publication and we will not offer a handbook that is only 95% complete. So what is missing?

We could provide an extensive list of what the already edited several hundred pages include. Right now, we would rather tell you what we are waiting on. Standard Operating Procedures (SOP's). Nothing happens in government without some sort of procedure or policy. We believe that activities within FTB are no different. You submit a weapon to FTB for classification. You want to know how you will be graded. It works for the classroom, it works for other branches of government, it should also work for FTB. We have asked for copies of the SOP's for these and other processes:

- Classification
• Reclassification
• Machine gun testing
• Parts origin
• Marking recovery
• Safety standards
• Weapon detention/reclamation

Clearly, it is reasonable for an individual or a business to want to know exactly how they will be

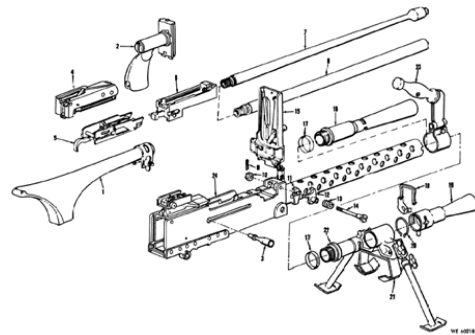
graded when it comes to running the gauntlet of the Firearms Technology Branch. Any handbook that fails to offer this information, we believe, would be particularly valueless. And we think that you would agree. And that is where we stand today.

NFATCA has met with senior leaders and subject matter experts from FTB on numerous occasions, both in person and via conference call, in order to secure documentation of these critical SOP's. FTB has expressed agreement that a documentation, review and explanation of these SOP's is both reasonable and justified for the purposes of the FTB Handbook. Unfortunately, we still do not have those SOP's in hand. The current draft of the handbook contains some six extensively sectioned chapters, four appendices and four background reference sections. If measured in bulk, the draft is nearly two inches thick. Without the SOP's, though, it is not particularly useful to the audience or suitable for publication.

As recently as September of 2012, NFATCA participated in a senior level meeting with FTB to review the missing components of the handbook and reconfirm that the creation and publication of a complete handbook was still a priority for ATF in general

and FTB in particular. In no uncertain terms, FTB Branch Chief Spencer confirmed the priority and reiterated his commitment to researching, retrieving and providing to us the missing SOP's for incorporation

into this ongoing effort. As we all know, the machinery of government can move in an exquisitely



slow and fitful manner. While we do not have a delivery date for the requested information, we do have a promise that it will be delivered.

Once we have the information in hand, we will endeavor to incorporate them into a complete publication that is not written in legalese and does answer your most pressing concerns and question in relation to the Firearms Technology Branch. Of course, we have applied a considerable amount of resource in the effort thus far and it will take a considerably larger amount to finish this project. We are currently soliciting sponsors to assist us in bringing the FTB Handbook & Reference to reality.

Please do not hesitate to contact us at info@nfatca.org if you would like to help.

The Elections Are Coming

This issue of The Partisan is hitting the streets just before the November elections. The Board and many members of NFATCA will be at the Knob Creek shoot at the same time and we fully expect to see a repeat of activity, similar to what happened four years ago at the "AR Blow Out Creek." The NFATCA encourages you to actually make the time to go exercise your right and privilege. GO VOTE! You decide exactly how you will be governed and what your country will look like. Not voting means that you

are abdicating your duty to tell our leaders what you want and on what

terms. Do you want less restrictions on your Constitutional rights to keep and bear arms? Then take the time to learn which candidates stand up for your beliefs and who are willing to uphold our laws. Want less government regulation in your life? Vote that way. Our country may not currently reflect all of the values of the Founding Fathers. But with your vote, it could again. You cannot get something for nothing. Vote that way.

